

FO/15/00199



www.pewag.com

pewag austria GmbH

A-8041 Graz, Gaslaternenweg 4, Phone: +43 316 6070-0, Fax: +43 316 6070-100,
saleinfo@pewag.com, www.pewag.com



pewag winner profimag lifting magnets

For challenging lifting applications



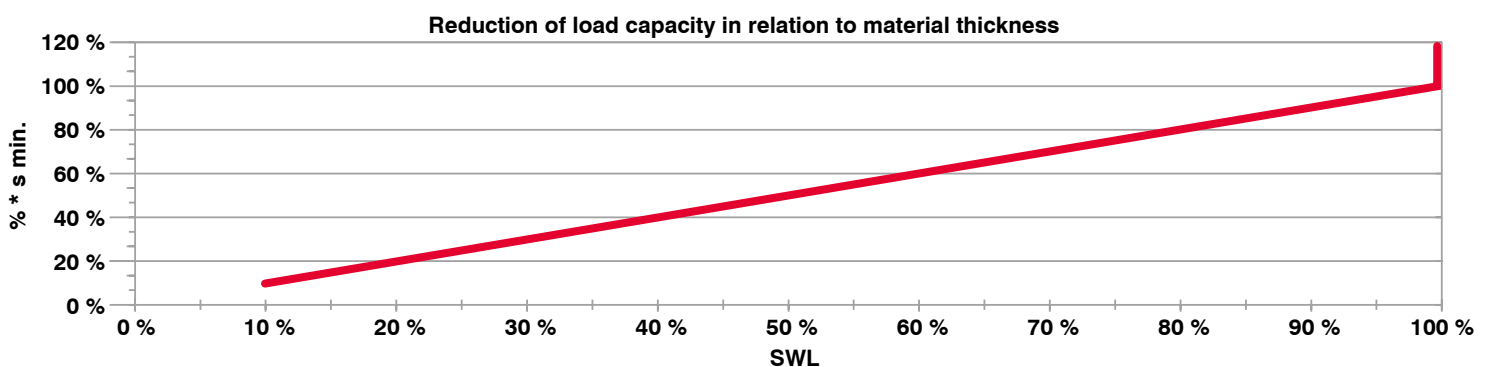
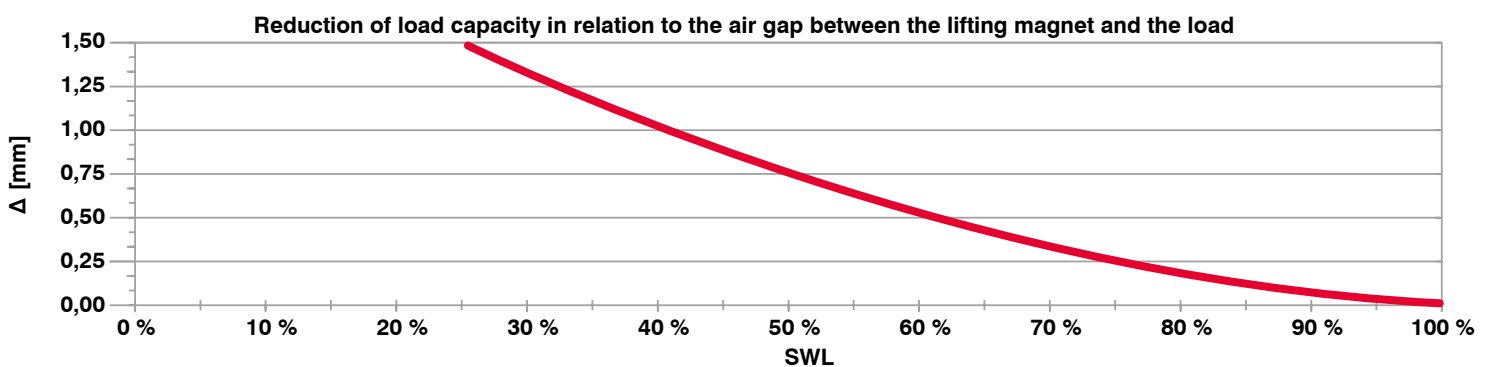
Versatile. Innovative. pewag.

Your benefits at a glance

- Built using Neodymium magnets
- No electricity required for use
- Small, compact format
- Built using premium master links from the pewag winner range
- May be used for a wide range of different metals, bearing in mind the reduction factors for working load limits
- Easy to switch on or off by turning the lever by 180°, thus fully leveraging the magnetic effect
- Safety mechanism locks lever in position when the magnet is on, thus preventing the accidental release of the load
- Lever, handle, spring, lock and label are available as spare parts
- 5-year warranty
- Jointed connection between master link and magnet, therefore reduced load during inclined hoisting operations
- Front panels made from aluminium, thus reduced proper weight



Restrictions of use				
Temperature range	From -10° C to +80° C and max. humidity of 80%		Less than -10° C and more than +80° C	
Load factor	1		Not permitted	
Shock loading	Not permitted			
Steel type	Mild steel	Alloy steel	C40 steel	Cast iron
Load factor	1	0,8	0,7	0,45



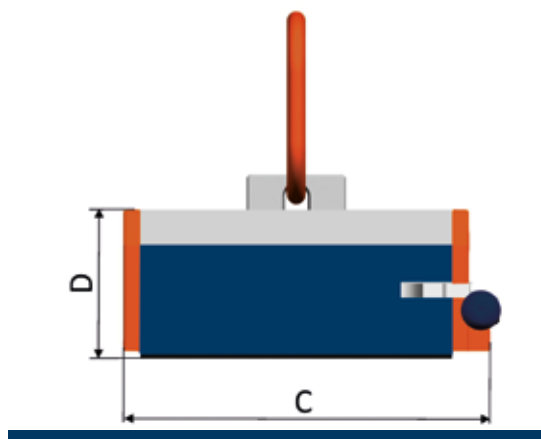
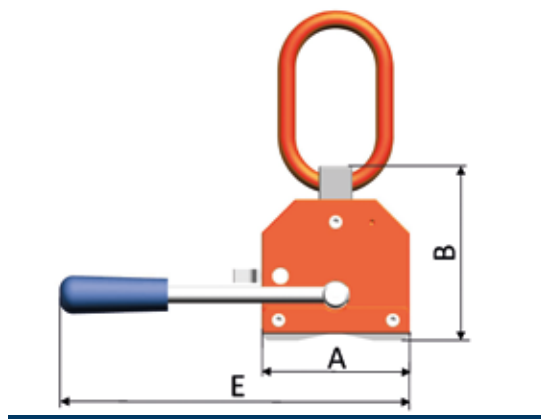
pewag[®] winner profimag PMA lifting magnet

Magnetic, compact, reliable

Built with Neodymium magnets and thus compatible with a wide range of metallic materials without the need for electricity. Load capacities from 150 kg to 2,000 kg. Simple and quick to mount to the lifting equipment thanks to permanently mounted master links. Suitable for flat and round material. Suitable for temperature ranges from -10 °C to +80 °C at 80 % maximum humidity. Maximum temperature of the load to be lifted: 60 °C.

Surface: orange, anodized or electrogalvanized.
Master links: orange, powder-coated.

Manufactured according to EN 12100 T1 and T2, EN 13155, ASME B30.20 and Machine Directive 2006/42/EC.



Type	A [mm / inch]	B [mm / inch]	C [mm / inch]	D [mm / inch]	E [mm / inch]	Master link	Weight [kg/lbs]
PMA 150	85,00 / 3,35	110,00 / 4,33	155,00 / 6,10	85,00 / 3,35	190,00 / 7,48	AW 13: 13x110x60	5,00 / 11,00
PMA 300	85,00 / 3,35	110,00 / 4,33	195,00 / 7,68	85,00 / 3,35	190,00 / 7,48	AW 13: 13x110x60	7,00 / 15,40
PMA 500	110,00 / 4,33	130,00 / 5,12	260,00 / 10,23	105,00 / 4,13	250,00 / 9,48	AW 13: 13x110x60	17,00 / 37,50
PMA 1000	130,00 / 5,12	175,00 / 6,89	320,00 / 12,60	135,00 / 5,31	275,00 / 10,87	AW 13: 13x110x60	40,00 / 88,20
PMA 2000	205,00 / 8,07	230,00 / 9,05	450,00 / 17,72	180,00 / 7,09	510,00 / 20,08	AW 22: 23x160x90	112,00 / 246,90

Type	Flat surface			Round surface	
	WLL [kg / lbs]	Min. material thickness [mm / inch]	Max. length L [mm / inch]	WLL [kg / lbs]	Max. material diameter [mm / inch]
PMA 150	150 / 350	20,00 / 0,79	2.000 / 78,74 in	75 / 150	150,00 / 5,91
PMA 300	300 / 700	20,00 / 0,79	2.500 / 98,43 in	150 / 350	150,00 / 5,91
PMA 500	500 / 1.100	25,00 / 0,98	3.000 / 118,11 in	250 / 550	250,00 / 9,84
PMA 1000	1.000 / 2.200	35,00 / 1,38	3.500 / 137,80 in	500 / 1.100	300,00 / 11,81
PMA 2000	2.000 / 4.400	45,00 / 1,77	3.500 / 137,80 in	1.000 / 2.200	500,00 / 19,69