

Antriebseinheiten, Ringschlüssel, Ratschenköpfe, Wechseleinsätze
Drive units, ring spanners, ratched heads, exchangeable inserts

Hydraulische Drehmomentschrauber K

Hydraulic Torque Wrenches K



Technische Daten, metrisch /
Technical data, metric

PLARAD[®]
Torque & Tension Systems

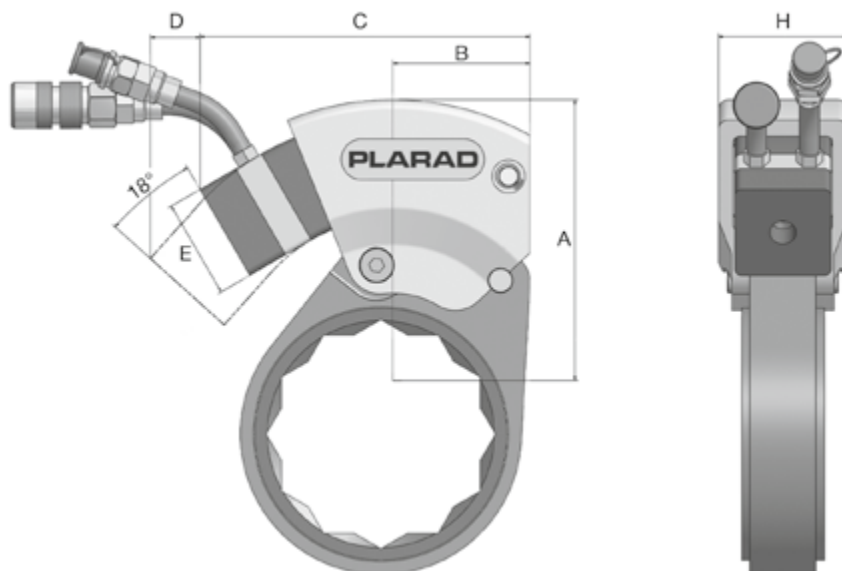


Hydraulische Drehmomentschrauber K

Hydraulic Torque Wrenches K

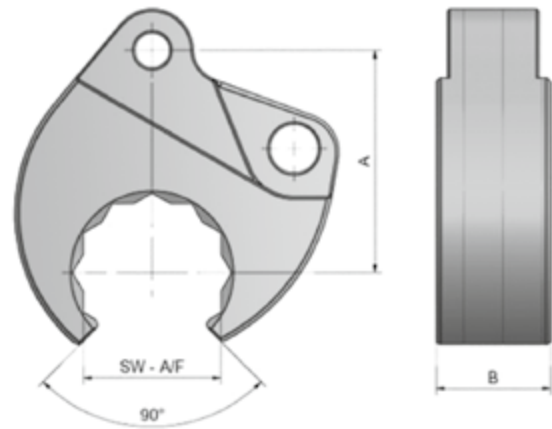


Typ	Schlüsselweiten (mm)	Drehmomentbereich	A	B	C	D	E	H	Gewicht
Type	Width across flat (inch)	Torque range (Nm)	(mm)	(mm)	(mm)	(mm)	(mm)	(mm)	Weight (kg)
K 30 TF	24 - 90 (1.1/4" - 3.1/2")	300 - 3.000	127,5	74	163	21	45	63	4,8
K 60 TF	24 - 90 (1.1/4" - 3.1/2")	660 - 6.600	141,5	67	170	28	56	68	5,7
K 150 TF	27 - 110 (1.7/16" - 3.7/8")	1.100 - 11.000	170,0	83	180	34	60	78	8,6
K 200 TF	60 - 135 (2.3/8" - 4.1/8")	2.000 - 20.000	220,5	120	248,5	45	78	100	18,5
K 300 TF	80 - 150 (3.1/8" - 6")	3.000 - 30.000	272,5	148	295,5	59,5	94	120	30,0



Ringschlüssel offen / open ring spanners

Ringschlüssel offen Open ring spanner K 30 / K 60 Code Nr./Code no	SW A/F	SW A/F	A	B
	mm	inch	mm	mm
F94-013-8-02406	24		75	20
F94-013-8-02706	27		75	20
F94-013-8-03006	30		75	20
F94-013-8-03206	32	1.1/4"	75	20
F94-013-8-03606	36	1.7/16"	75	25
F94-013-8-04106	41	1.5/8"	75	25
F94-013-8-04606	46	1.13/16"	75	25
F94-013-8-05006	50	2"	75	30
F94-013-8-05506	55	2.3/16"	75	30
F94-013-8-06006	60	2.3/8"	75	35
F94-013-8-06506	65	2.9/162"	75	40
F94-013-8-07006	70	2.3/4"	75	40
F94-013-8-07506	75	2.15/16"	100	40
F94-013-8-08006	80	3.1/8"	100	45
F94-013-8-08506	85		100	50
F94-013-8-09006	90	3.1/2"	100	50

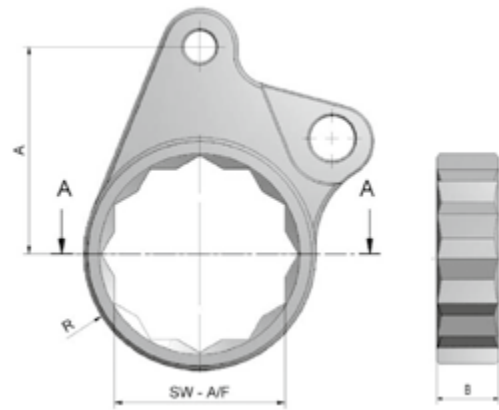


Ringschlüssel offen Open ring spanner K 150 Code Nr./Code no	SW A/F	SW A/F	A	B
	mm	inch	mm	mm
F94-014-8-03201	32		97	20
F94-014-8-03601	36	1.7/16"	97	25
F94-014-8-04101	41	1.5/8"	97	25
F94-014-8-04601	46	1.13/16"	97	25
F94-014-8-05001	50	2"	97	30
F94-014-8-05501	55	2.3/16"	97	30
F94-014-8-06001	60	2.3/8"	97	35
F94-014-8-06501	65	2.9/16"	97	40
F94-014-8-07001	70	2.3/4"	97	40
F94-014-8-07501	75	2.15/16"	97	45
F94-014-8-08001	80	3.1/8"	97	45
F94-014-8-08501	85		97	45
F94-014-8-09001	90	3.1/2"	102	45
F94-014-8-09501	95		106	50
F94-014-8-10001	100	3.7/8"	110	50
F94-014-8-11001	110		118	55

Ringschlüssel offen Open ring spanner K 200 Code Nr./Code no	SW A/F	SW A/F	A	B
	mm	inch	mm	mm
F94-015-8-06002	60	2.3/8"	200,3	35
F94-015-8-06502	65	2.9/162"	200,3	40
F94-015-8-07002	70	2.3/4"	200,3	40
F94-015-8-07502	75	2.15/16"	200,3	45
F94-015-8-08002	80	3.1/8"	200,3	45
F94-015-8-08502	85		200,3	45
F94-015-8-09002	90	3.1/2"	200,3	45
F94-015-8-09502	95		200,3	50
F94-015-8-10002	100	3.7/8"	200,3	50
F94-015-8-10502	105	4.1/8"	200,3	55
F94-015-8-11002	110		200,3	55
F94-015-8-11502	115		200,3	60
F94-015-8-12002	120		200,3	60
F94-015-8-12502	125		200,3	65
F94-015-8-13002	130		200,3	65
F94-015-8-13502	135		200,3	65

Ringschlüssel / ring spanners

Ringschlüssel Ring spanner K 30 / K 60	SW A/F	R	A	B	Mt max
Code Nr./Code no	mm	mm	mm	mm	Nm
F94-013-8-02700	27	25,0	75	20	1.900
F94-013-8-03000	30	26,5	75	20	2.000
F94-013-8-03200	32	29,0	75	20	2.500
F94-013-8-03600	36	31,5	75	25	3.500
F94-013-8-04100	41	35,0	75	25	4.150
F94-013-8-04600	46	37,5	75	25	5.000
F94-013-8-05000	50	40,0	75	30	5.750
F94-013-8-05500	55	43,0	75	30	6.000
F94-013-8-06000	60	46,5	75	35	6.000
F94-013-8-06500	65	49,5	75	40	6.000
F94-013-8-07000	70	52,5	75	40	6.000
F94-013-8-07500	75	55,5	100	40	6.000
F94-013-8-08000	80	59,0	100	40	6.000
F94-013-8-08500	85	62,0	100	40	6.000
F94-013-8-09000	90	65,0	100	40	6.000



Ringschlüssel Ring spanner K 30 / K 60	SW A/F	R	A	B	Mt max
Code Nr./Code no	inch	mm	mm	mm	Nm
F94-013-8-02900	1.1/8"	27,0	75	20	2.300
F94-013-8-03201	1.1/4"	29,0	75	20	2.500
F94-013-8-03800	1.1/2"	33,0	75	25	3.800
F94-013-8-04800	1.7/8"	39,0	75	30	5.750
F94-013-8-05600	2.3/16"	43,5	75	30	6.000
F94-013-8-05700	2.1/4"	28,6	75	30	6.000
F94-013-8-07001	2.3/4"	35,0	75	40	6.000

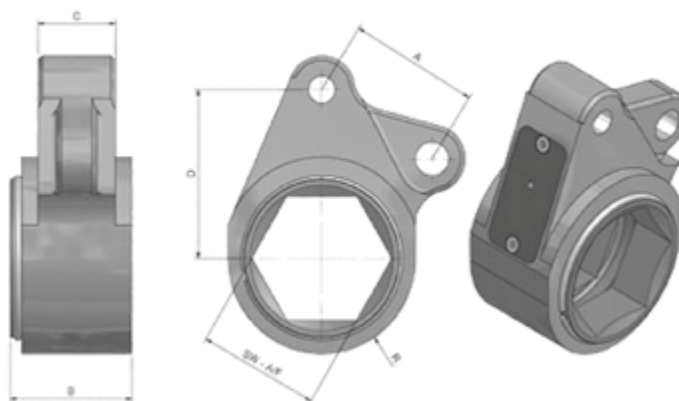
Ringschlüssel Ring spanner K 150	SW A/F	R	A	B	Mt max
Code Nr./Code no	mm	mm	mm	mm	Nm
F94-014-8-03200	32	29,0	97	20	2.500
F94-014-8-03600	36	31,5	97	25	3.500
F94-014-8-04100	41	35,0	97	25	4.150
F94-014-8-04600	46	37,5	97	25	5.000
F94-014-8-05000	50	40,0	97	30	5.750
F94-014-8-05500	55	43,0	97	30	6.300
F94-014-8-06000	60	46,5	97	35	8.400
F94-014-8-06500	65	49,5	97	40	10.000
F94-014-8-07000	70	52,5	97	40	10.000
F94-014-8-07500	75	56,0	97	45	10.000
F94-014-8-08000	80	59,0	97	45	10.000
F94-014-8-08500	85	62,0	97	45	10.000
F94-014-8-09000	90	65,5	102	45	10.000
F94-014-8-09500	95	68,5	106	50	10.000
F94-014-8-10000	100	71,5	110	50	10.000
F94-014-8-11000	110	78,0	118	55	10.000

Ringschlüssel Ring spanner K 150	SW A/F	R	A	B	Mt max
Code Nr./Code no	inch	mm	mm	mm	Nm
F94-014-8-03300	1.5/16"	29,5	97	25	2.500
F94-014-8-03800	1.1/2"	32,5	97	25	3.500
F94-014-8-04300	1.11/16"	36,0	97	25	4.250
F94-014-8-04600	1.3/4"	37,5	97	25	5.000
F94-014-8-05400	2.1/8"	42,5	97	30	6.300
F94-014-8-05700	2.1/4"	44,5	97	35	8.400
F94-014-8-06700	2.5/8"	50,5	97	40	10.000
F94-014-8-07100	2.13/16"	53,0	97	40	10.000
F94-014-8-07600	3"	56,0	97	45	10.000
F94-014-8-08900	3.1/2"	64,5	102	45	10.000
F94-014-8-09800	3.7/8"	70,0	110	50	10.000
F94-014-8-10200	4"	72,0	120	50	10.000
F94-014-8-10800	4.1/4"	76,0	118	55	10.000

Ringschlüssel / ring spanners

Ringschlüssel Ring spanner K 200	SW A/F	R	A	B	Mt max
Code Nr./Code no	mm	mm	mm	mm	Nm
F94-003-8-06000	60	51,5	200,3	35	12.700
F94-003-8-06500	65	54,5	200,3	40	15.600
F94-003-8-07000	70	58	200,3	40	17.300
F94-003-8-07500	75	61	200,3	45	20.800
F94-003-8-08000	80	64	200,3	45	22.100
F94-003-8-08500	85	67	200,3	45	23.400
F94-003-8-09000	90	70,5	200,3	45	25.000
F94-003-8-09500	95	73,5	200,3	50	25.000
F94-003-8-10000	100	76,5	200,3	50	25.000
F94-003-8-10500	105	79	200,3	55	25.000
F94-003-8-11000	110	83	200,3	55	25.000
F94-003-8-11500	115	86	200,3	60	25.000
F94-003-8-12000	120	89	200,3	60	25.000
F94-003-8-12500	125	92	200,3	65	25.000
F94-003-8-13000	130	95,5	200,3	65	25.000
F94-003-8-13500	135	98,5	200,3	65	25.000

Ringschlüssel Ring spanner K 200	SW A/F	R	A	B	Mt max
Code Nr./Code no	inch	mm	mm	mm	Nm
F94-003-8-03200	1.1/4"	34	200,3	20	4.200
F94-003-8-03500	1.3/8"	36	200,3	25	5.000
F94-003-8-03801	1.1/2"	38	200,3	25	5.800
F94-003-8-04102	1.5/8"	40	200,3	25	6.500
F94-003-8-04500	1.3/4"	42	200,3	25	6.800
F94-003-8-04800	1.7/8"	44	200,3	30	8.000
F94-003-8-05100	2"	46	200,3	30	9.000
F94-003-8-05700	2.1/4"	49,5	200,3	35	11.500
F94-003-8-06400	2.1/2"	53,5	200,3	40	14.500
F94-003-8-06700	2.5/8"	55,5	200,3	40	16.500
F94-003-8-07600	3"	62	200,3	45	21.500
F94-003-8-08900	3.1/2"	70,5	200,3	45	25.000
F94-003-8-09502	3.3/4"	73,5	200,3	50	25.000
F94-003-8-10503	4.1/8"	79,5	200,3	55	25.000
F94-003-8-10800	4.1/4"	82	200,3	55	25.000
F94-003-8-11400	4.1/2"	86	200,3	60	25.000

Ratschenköpfe/
Ratchet heads

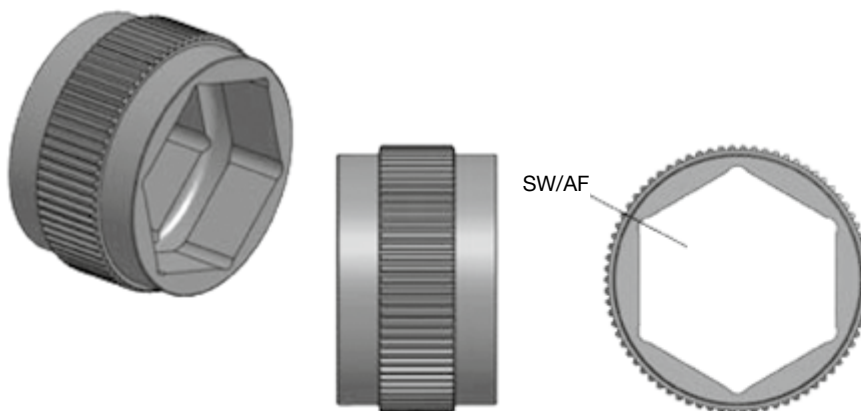
RKW K 30 / K 60	Code Nr. Code no	max. SW max. A/F mm	max. SW max. A/F inch	R	A	B	C	D	Mt max Nm
RKW 341	G07-003-0-00401	41	1.5/8"	35	58,7	55	35	75	2.500
RKW 355	G07-003-0-00501	55	2.3/16"	42,5	58,7	55	35	75	4.200
RKW 370	G07-003-0-00601	70	2.3/4"	56	58,7	55	35	82	6.600
RKW 385	G07-003-0-02301	85	3.1/4"	68	58,7	55	35	96	6.600

RKW K 150	Code Nr. Code no	max. SW max. A/F mm	max. SW max. A/F inch	R	A	B	C	D	Mt max Nm
RKW 1041	G07-011-0-00401	41	1.5/8"	35	75,4	55	40	97	2.500
RKW 1055	G07-011-0-00501	55	2.3/16"	42,5	75,4	55	40	97	4.200
RKW 1070	G07-011-0-00301	70	2.3/4"	56	75,4	55	40	97	8.450
RKW 1085	G07-011-0-00601	85	3.1/4"	68	75,4	55	40	100	11.000
RKW 1100	G07-011-0-00701	100	3.7/8"	77,5	75,4	55	40	105	11.000

Zwischengrößen auf Anfrage/Intermediate sizes on request

RKW K 200	Code Nr. Code no	max. SW max. A/F mm	max. SW max. A/F inch	R	A	B mm	C	D	Mt max Nm
RKW 18090	G07-018-0-01301	90	3"	73	93,3	60	50	130	15.000
RKW 18105	G07-018-0-01401	105	4"	81	93,3	60	50	130	17.000
RKW 18120	G07-018-0-01501	120	4.5/8"	91	93,3	60	50	130	20.000

**Wechseleinsätze/
Exchangeable inserts**



RKW 341	max. SW max. A/F mm	Code Nr. Code no
W 341 H 24 M	24	F07-010-3-25201
W 341 H 27 M	27	F07-010-3-50601
W 341 H 30 M	30	F07-010-3-25301
W 341 H 32 M	32	F07-010-3-03901
W 341 H 35 M	35	F07-010-3-43801
W 341 H 36 M	36	F07-010-3-00101
W 341 H 39 M	39	F07-010-3-51101
W 341 H 40 M	40	F07-011-3-16301
W 341 H 41 M	41	F07-010-3-00201
W 341 H 42 M	42	F07-010-3-19601

RKW 341	max. SW max. A/F inch	Code Nr. Code no
W 341 H 063	5/8"	F07-010-3-56201
W 341 H 081	13/16"	F07-010-3-35301
W 341 H 075	3/4"	F07-010-3-35201
W 341 H 088	7/8"	F07-010-3-35401
W 341 H 094	15/16"	F07-010-3-35501
W 341 H 113	1.1/8"	F07-010-3-48801
W 341 H 181	1.3/16"	F07-010-3-43901
W 341 H 125	1.1/4"	F07-010-3-23401
W 341 H 131	1.5/16"	F07-010-3-00401
W 341 H 144	1.7/16"	F07-010-3-00301
W 341 H 150	1.1/2"	F07-010-3-23501
W 341 H 156	1.9/16"	F07-010-3-29901
W 341 H 163	1.5/8"	F07-010-3-30001

Wechseleinsätze/Exchangeable inserts

RKW 355	max. SW max. A/F mm	Code Nr. Code no
W 355 H 27 M	27	F07-010-3-41801
W 355 H 30 M	30	F07-010-3-24201
W 355 H 32 M	32	F07-010-3-15601
W 355 H 35 M	35	F07-011-3-13201
W 355 H 36 M	36	F07-010-3-15701
W 355 H 38 M	38	F07-010-3-57001
W 355 H 41 M	41	F07-010-3-15801
W 355 H 42 M	42	F07-011-3-16401
W 355 H 46 M	46	F07-010-3-00501
W 355 H 47 M	47	F07-010-3-47601
W 355 H 48 M	48	F07-010-3-59301
W 355 H 50 M	50	F07-010-3-01501
W 355 H 51 M	51	F07-010-3-11501
W 355 H 52 M	52	F07-010-3-58201
W 355 H 54 M	54	F07-010-3-33401
W 355 H 55 M	55	F07-010-3-00601
W 355 H 56 M	56	F07-010-3-50701

RKW 355	max. SW max. A/F inch	Code Nr. Code no
W 355 H 125	1.1/4"	F07-010-3-52301
W 355 H 131	1.5/16"	F07-010-3-41701
W 355 H 138	1.3/8"	F07-011-3-18201
W 355 H 144	1.7/16"	F07-010-3-52401
W 355 H 150	1.1/2"	F07-010-3-53001
W 355 H 163	1.5/8"	F07-010-3-52501
W 355 H 169	1.11/16"	F07-010-3-00901
W 355 H 175	1.3/4"	F07-010-3-30101
W 355 H 181	1.13/16"	F07-010-3-28901
W 355 H 188	1.7/8"	F07-010-3-30201
W 355 H 194	1.15/16"	F07-010-3-30301
W 355 H 200	2"	F07-010-3-28801
W 355 H 206	2.1/16"	F07-010-3-01001
W 355 H 213	2.1/8"	F07-010-3-19901
W 355 H 219	2.3/16"	F07-010-3-00801
W 355 H 225	2.1/4"	F07-010-3-20001

RKW 370	max. SW max. A/F mm	Code Nr./ Code no
W 370 H 24 M	24	F07-010-3-58101
W 370 H 32 M	32	F07-010-3-58001
W 370 H 36 M	36	F07-010-3-48001
W 370 H 41 M	41	F07-010-3-43201
W 370 H 46 M	46	F07-010-3-43301
W 370 H 50 M	50	F07-010-3-43401
W 370 H 54 M	54	F07-010-3-49701
W 370 H 55 M	55	F07-010-3-43501
W 370 H 56 M	56	F07-010-3-48101
W 370 H 58 M	58	F07-010-3-46601
W 370 H 60 M	60	F07-010-3-25401
W 370 H 61 M	61	F07-010-3-58301
W 370 H 62 M	62	F07-010-3-50001
W 370 H 63 M	63	F07-010-3-48201
W 370 H 65 M	65	F07-010-3-25501
W 370 H 67 M	67	F07-010-3-26901
W 370 H 70 M	70	F07-010-3-25601

RKW 370	max. SW max. A/F inch	Code Nr. Code no
W 370 H 175	1.3/4"	F07-010-3-48501
W 370 H 200	2"	F07-010-3-48601
W 370 H 213	2.1/8"	F07-010-3-48701
W 370 H 219	2.3/16"	F07-010-3-56701
W 370 H 225	2.1/4"	F07-010-3-44001
W 370 H 231	2.5/16"	F07-010-3-44101
W 370 H 238	2.3/8"	F07-010-3-44201
W 370 H 244	2.7/16"	F07-010-3-58401
W 370 H 250	2.1/2"	F07-010-3-44401
W 370 H 256	2.9/16"	F07-010-3-44501
W 370 H 263	2.5/8"	F07-010-3-44601
W 370 H 269	2.11/16"	F07-010-3-56301
W 370 H 275	2.3/4"	F07-010-3-44701

Wechseleinsätze/Exchangeable inserts

RKW 375	max. SW max. A/F mm	Code Nr. Code no
W 375 H 41 M	41	F07-006-3-18201
W 375 H 46 M	46	F07-006-3-18101
W 375 H 50 M	50	F07-006-3-23901
W 375 H 54 M	54	F07-006-3-21601
W 375 H 55 M	55	F07-006-3-18001
W 375 H 58 M	58	F07-006-3-17901
W 375 H 60 M	60	F07-006-3-12301
W 375 H 63 M	63	F07-006-3-17801
W 375 H 65 M	65	F07-006-3-12401
W 375 H 67 M	67	F07-006-3-17701
W 375 H 70 M	70	F07-006-3-12501
W 375 H 71 M	71	F07-006-3-17601
W 375 H 73 M	73	F07-006-3-57401
W 375 H 75 M	75	F07-006-3-12601

RKW 375	max. SW max. A/F inch	Code Nr. Code no
W 375 H 188	1.7/8"	F07-006-3-22401
W 375 H 269	2.11/16"	F07-010-3-45501

RKW 385	max. SW max. A/F mm	Code Nr. Code no
W 385 H 36 M	36	F07-010-3-56501
W 385 H 41 M	41	F07-010-3-56601
W 385 H 46 M	46	F07-010-3-53201
W 385 H 50 M	50	F07-011-3-50801
W 385 H 55 M	55	F07-010-3-42801
W 385 H 58 M	58	F07-010-3-50401
W 385 H 60 M	60	F07-011-3-06901
W 385 H 65 M	65	F07-010-3-47201
W 385 H 67 M	67	F07-010-3-50501
W 385 H 70 M	70	F07-010-3-42701
W 385 H 71 M	71	F07-011-3-08801
W 385 H 73 M	73	F07-010-3-57301
W 385 H 75 M	75	F07-010-3-25701
W 385 H 76 M	76	F07-010-3-58601
W 385 H 77 M	77	F07-011-3-07201
W 385 H 78 M	78	F07-010-3-50901
W 385 H 80 M	80	F07-010-3-25801
W 385 H 85 M	85	F07-010-3-25901

RKW 385	max. SW max. A/F inch	Code Nr. Code no
W 385 H 169	1.11/16"	F07-011-3-05101
W 385 H 188	1.7/8"	F07-011-3-05001
W 385 H 231	2.5/16"	F07-010-3-44901
W 385 H 238	2.3/8"	F07-010-3-57801
W 385 H 275	2.3/4"	F07-010-3-58501
W 385 H 281	2.13/16"	F07-010-3-57901
W 385 H 288	2.7/8"	F07-010-3-44801
W 385 H 294	2.15/16"	F07-010-3-52701
W 385 H 300	3"	F07-010-3-45001
W 385 H 306	3.1/16"	F07-010-3-51201
W 385 H 316	3.1/8"	F07-010-3-45101
W 385 H 319	3.3/16"	F07-010-3-45201
W 385 H 325	3.1/4"	F07-010-3-45301
W 385 H 331	3.5/16"	F07-010-3-45401
W 385 H 338	3.3/8"	F07-010-3-45501

Wechseleinsätze/Exchangeable inserts

RKW 1041	max. SW max. A/F mm	Code Nr. Code no
W 1041 H 24 M	24	F07-010-3-25201
W 1041 H 27 M	27	F07-010-3-50601
W 1041 H 30 M	30	F07-010-3-25301
W 1041 H 32 M	32	F07-010-3-03901
W 1041 H 35 M	35	F07-010-3-43801
W 1041 H 36 M	36	F07-010-3-00101
W 1041 H 39 M	39	F07-010-3-51101
W 1041 H 40 M	40	F07-011-3-16301
W 1041 H 41 M	41	F07-010-3-00201
W 1041 H 42 M	42	F07-010-3-19601

RKW 1041	max. SW max. A/F inch	Code Nr. Code no
W 1041 H 063	5/8"	F07-010-3-56201
W 1041 H 081	13/16"	F07-010-3-35301
W 1041 H 075	3/4"	F07-010-3-35201
W 1041 H 088	7/8"	F07-010-3-35401
W 1041 H 094	15/16"	F07-010-3-35501
W 1041 H 113	1.1/8"	F07-010-3-48801
W 1041 H 181	1.3/16"	F07-010-3-43901
W 1041 H 125	1.1/4"	F07-010-3-23401
W 1041 H 131	1.5/16"	F07-010-3-00401
W 1041 H 144	1.7/16"	F07-010-3-00301
W 1041 H 150	1.1/2"	F07-010-3-23501
W 1041 H 156	1.9/16"	F07-010-3-29901
W 1041 H 163	1.5/8"	F07-010-3-30001

RKW 1055	max. SW max. A/F mm	Code Nr. Code no
W 1055 H 27 M	27	F07-010-3-41801
W 1055 H 30 M	30	F07-010-3-24201
W 1055 H 32 M	32	F07-010-3-15601
W 1055 H 35 M	35	F07-011-3-13201
W 1055 H 36 M	36	F07-010-3-15701
W 1055 H 38 M	38	F07-010-3-57001
W 1055 H 41 M	41	F07-010-3-15801
W 1055 H 42 M	42	F07-011-3-16401
W 1055 H 46 M	46	F07-010-3-00501
W 1055 H 47 M	47	F07-010-3-47601
W 1055 H 48 M	48	F07-010-3-59301
W 1055 H 50 M	50	F07-010-3-01501
W 1055 H 51 M	51	F07-010-3-11501
W 1055 H 52 M	52	F07-010-3-58201
W 1055 H 54 M	54	F07-010-3-33401
W 1055 H 55 M	55	F07-010-3-00601
W 1055 H 56 M	56	F07-010-3-50701

RKW 1055	max. SW max. A/F inch	Code Nr. Code no
W 1055 H 125	1.1/4"	F07-010-3-52301
W 1055 H 131	1.5/16"	F07-010-3-41701
W 1055 H 138	1.3/8"	F07-011-3-18201
W 1055 H 144	1.7/16"	F07-010-3-52401
W 1055 H 150	1.1/2"	F07-010-3-53001
W 1055 H 163	1.5/8"	F07-010-3-52501
W 1055 H 169	1.11/16"	F07-010-3-00901
W 1055 H 175	1.3/4"	F07-010-3-30101
W 1055 H 181	1.13/16"	F07-010-3-28901
W 1055 H 188	1.7/8"	F07-010-3-30201
W 1055 H 194	1.15/16"	F07-010-3-30301
W 1055 H 200	2"	F07-010-3-28801
W 1055 H 206	2.1/16"	F07-010-3-01001
W 1055 H 213	2.1/8"	F07-010-3-19901
W 1055 H 219	2.3/16"	F07-010-3-00801
W 1055 H 225	2.1/4"	F07-010-3-20001

Wechseleinsätze/Exchangeable inserts

RKW 1070	max. SW max. A/F mm	Code Nr. Code no
W 1070 H 24 M	24	F07-010-3-58101
W 1070 H 32 M	32	F07-010-3-58001
W 1070 H 36 M	36	F07-010-3-48001
W 1070 H 41 M	41	F07-010-3-43201
W 1070 H 46 M	46	F07-010-3-43301
W 1070 H 50 M	50	F07-010-3-43401
W 1070 H 54 M	54	F07-010-3-49701
W 1070 H 55 M	55	F07-010-3-43501
W 1070 H 56 M	56	F07-010-3-48101
W 1070 H 58 M	58	F07-010-3-46601
W 1070 H 60 M	60	F07-010-3-25401
W 1070 H 61 M	61	F07-010-3-58301
W 1070 H 62 M	62	F07-010-3-50001
W 1070 H 63 M	63	F07-010-3-48201
W 1070 H 65 M	65	F07-010-3-25501
W 1070 H 67 M	67	F07-010-3-26901
W 1070 H 70 M	70	F07-010-3-25601

RKW 1070	max. SW max. A/F inch	Code Nr. Code no
W 1070 H 175	1.3/4"	F07-010-3-48501
W 1070 H 200	2"	F07-010-3-48601
W 1070 H 213	2.1/8"	F07-010-3-48701
W 1070 H 219	2.3/16"	F07-010-3-56701
W 1070 H 225	2.1/4"	F07-010-3-44001
W 1070 H 231	2.5/16"	F07-010-3-44101
W 1070 H 238	2.3/8"	F07-010-3-44201
W 1070 H 244	2.7/16"	F07-010-3-58401
W 1070 H 250	2.1/2"	F07-010-3-44401
W 1070 H 256	2.9/16"	F07-010-3-44501
W 1070 H 263	2.5/8"	F07-010-3-44601
W 1070 H 269	2.11/16"	F07-010-3-56301
W 1070 H 275	2.3/4"	F07-010-3-44701

RKW 1075	max. SW max. A/F mm	Code Nr. Code no
W 1075 H 41 M	41	F07-006-3-18201
W 1075 H 46 M	46	F07-006-3-18101
W 1075 H 50 M	50	F07-006-3-23901
W 1075 H 54 M	54	F07-006-3-21601
W 1075 H 55 M	55	F07-006-3-18001
W 1075 H 58 M	58	F07-006-3-17901
W 1075 H 60 M	60	F07-006-3-12301
W 1075 H 63 M	63	F07-006-3-17801
W 1075 H 65 M	65	F07-006-3-12401
W 1075 H 67 M	67	F07-006-3-17701
W 1075 H 70 M	70	F07-006-3-12501
W 1075 H 71 M	71	F07-006-3-17601
W 1075 H 73 M	73	F07-006-3-57401
W 1075 H 75 M	75	F07-006-3-12601

RKW 1075	max. SW max. A/F inch	Code Nr. Code no
W 1075 H 188	1.7/8"	F07-006-3-22401
W 1075 H 269	2.11/16"	F07-006-3-19301

Wechseleinsätze/Exchangeable inserts

RKW 1085	max. SW max. A/F mm	Code Nr. Code no
W 1085 H 36 M	36	F07-010-3-56501
W 1085 H 41 M	41	F07-010-3-56601
W 1085 H 46 M	46	F07-010-3-53201
W 1085 H 50 M	50	F07-011-3-50801
W 1085 H 55 M	55	F07-010-3-42801
W 1085 H 58 M	58	F07-010-3-50401
W 1085 H 60 M	60	F07-011-3-06901
W 1085 H 65 M	65	F07-010-3-47201
W 1085 H 67 M	67	F07-010-3-50501
W 1085 H 70 M	70	F07-010-3-42701
W 1085 H 71 M	71	F07-011-3-08801
W 1085 H 73 M	73	F07-010-3-57301
W 1085 H 75 M	75	F07-010-3-25701
W 1085 H 76 M	76	F07-010-3-58601
W 1085 H 77 M	77	F07-011-3-07201
W 1085 H 78 M	78	F07-010-3-50901
W 1085 H 80 M	80	F07-010-3-25801
W 1085 H 85 M	85	F07-010-3-25901

RKW 1085	max. SW max. A/F inch	Code Nr. Code no
W 1085 H 169	1.11/16"	F07-011-3-05101
W 1085 H 188	1.7/8"	F07-011-3-05001
W 1085 H 231	2.5/16"	F07-010-3-44901
W 1085 H 238	2.3/8"	F07-010-3-57801
W 1085 H 275	2.3/4"	F07-010-3-58501
W 1085 H 281	2.13/16"	F07-010-3-57901
W 1085 H 288	2.7/8"	F07-010-3-44801
W 1085 H 294	2.15/16"	F07-010-3-52701
W 1085 H 300	3"	F07-010-3-45001
W 1085 H 306	3.1/16"	F07-010-3-51201
W 1085 H 316	3.1/8"	F07-010-3-45101
W 1085 H 319	3.3/16"	F07-010-3-45201
W 1085 H 325	3.1/4"	F07-010-3-45301
W 1085 H 331	3.5/16"	F07-010-3-45401
W 1085 H 338	3.3/8"	F07-010-3-45501

RKW 1095	max. SW max. A/F mm	Code Nr. Code no
W 1095 H 60 M	60	F07-010-3-24601
W 1095 H 65 M	65	F07-010-3-22401
W 1095 H 70 M	70	F07-010-3-22501
W 1095 H 71 M	71	F07-010-3-59401
W 1095 H 75 M	75	F07-010-3-22001
W 1095 H 77 M	77	F07-010-3-15901
W 1095 H 80 M	80	F07-010-3-22101
W 1095 H 85 M	85	F07-010-3-10101
W 1095 H 88 M	88	F07-010-3-16001
W 1095 H 90 M	90	F07-010-3-02201
W 1095 H 95 M	95	F07-010-3-02301

RKW 1095	max. SW max. A/F inch	Code Nr. Code no
W 1095 H 313	3.1/8"	F07-011-3-14701
W 1095 H 338	3.3/8"	F07-010-3-31101
W 1095 H 344	3.7/16"	F07-010-3-24301
W 1095 H 350	3.1/2"	F07-010-3-31201
W 1095 H 356	3.9/16"	F07-010-3-31301
W 1095 H 375	3.3/4"	F07-010-3-31401

Wechseleinsätze/Exchangeable inserts

RKW 1100	max. SW max. AF mm	Code Nr. Code no
W 1100 H 55 M	55	F07-010-3-47901
W 1100 H 60 M	60	F07-010-3-52801
W 1100 H 65 M	65	F07-010-3-51701
W 1100 H 70 M	70	F07-010-3-52901
W 1100 H 75 M	75	F07-010-3-43601
W 1100 H 80 M	80	F07-010-3-11601
W 1100 H 85 M	85	F07-010-3-43701
W 1100 H 90 M	90	F07-010-3-27301
W 1100 H 95 M	95	F07-010-3-32001
W 1100 H 98 M	98	F07-010-3-51001
W 1100 H 100 M	100	F07-010-3-11701

RKW 1100	max. SW max. A/F inch	Code Nr. Code no
W 1100 H 294	2.15/16"	F07-010-3-57501
W 1100 H 313	3.1/8"	F07-010-3-57601
W 1100 H 338	3.3/8"	F07-010-3-51301
W 1100 H 344	3.7/16"	F07-010-3-45601
W 1100 H 350	3.1/2"	F07-010-3-45701
W 1100 H 356	3.9/16"	F07-010-3-45801
W 1100 H 363	3.5/8"	F07-010-3-45901
W 1100 H 369	3.11/16"	F07-010-3-51401
W 1100 H 375	3.3/4"	F07-010-3-46001
W 1100 H 381	3.13/16"	F07-010-3-27401
W 1100 H 388	3.7/8"	F07-010-3-51501
W 1100 H 394	3.15/16"	F07-010-3-51601

RKW 18090	max. SW max. A/F mm	Code Nr. Code no
W 18090 H 75 M	75	F07-018-3-05601
W 18090 H 80 M	80	F07-018-3-05701
W 18090 H 85 M	85	F07-018-3-05801
W 18090 H 90 M	90	F07-018-3-05301

RKW 18090	max. SW max. A/F inch	Code Nr. Code no
W 18090 H 200	2"	F07-018-3-09501
W 18090 H 238	2.3/8"	F07-018-3-09901
W 18090 H 256	2.9/16"	F07-018-3-09701
W 18090 H 275	2.3/4"	F07-018-3-08901
W 18090 H 281	2.13/16"	F07-018-3-09601
W 18090 H 294	2.15/16"	F07-018-3-10901
W 18090 H 300	3"	F07-018-3-22201
W 18090 H 313	3.1/8"	F07-018-3-08301
W 18090 H 331	3.5/16"	F07-018-3-08410
W 18090 H 338	3.3/8"	F07-018-3-09001
W 18090 H 350	3.1/2"	F07-018-3-08201

Wechseleinsätze/Exchangeable inserts

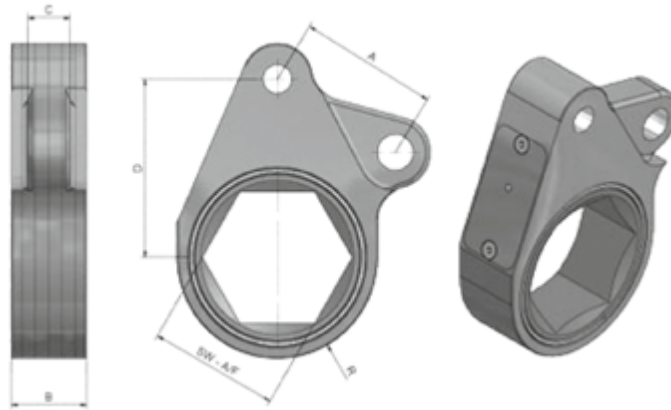
RKW 18105	max. SW max. A/F mm	Code Nr. Code no
W 18105 H 60 M	60	F07-018-3-07401
W 18105 H 65 M	65	F07-018-3-06901
W 18105 H 70 M	70	F07-018-3-07501
W 18105 H 75 M	75	F07-018-3-06801
W 18105 H 80 M	80	F07-018-3-07601
W 18105 H 85 M	85	F07-018-3-06701
W 18105 H 90 M	90	F07-018-3-04001
W 18105 H 95 M	95	F07-018-3-04101
W 18105 H 100 M	100	F07-018-3-04201
W 18105 H 105 M	105	F07-018-3-04301

RKW 18105	max. SW max. A/F inch	Code Nr. Code no
W 18105 H 350	3.1/2"	F07-018-3-21101
W 18105 H 388	3.7/8"	F07-018-3-09401
W 18108 H 413	4.1/8"	F07-018-3-20601

RKW 18120	max. SW max. A/F mm	Code Nr. Code no
W 18120 H 75 M	75	F07-018-3-21301
W 18120 H 80 M	80	F07-018-3-21901
W 18120 H 85 M	85	F07-018-3-21401
W 18120 H 95 M	95	F07-018-3-20401
W 18120 H 100 M	100	F07-018-3-17701
W 18120 H 105 M	105	F07-018-3-08501
W 18120 H 110 M	110	F07-018-3-14401
W 18120 H 115 M	115	F07-018-3-14801
W 18120 H 117 M	117	F07-018-3-21201
W 18120 H 120 M	120	F07-018-3-14701

RKW 18120	max. SW max. A/F inch	Code Nr. Code no
W 18120 H 369	3.11/16"	F07-018-3-07801
W 18120 H 375	3.3/4"	F07-018-3-08601
W 18120 H 388	3.7/8"	F07-018-3-07901
W 18120 H 400	4"	F07-018-3-11001
W 18120 H 406	4.1/16"	F07-018-3-11101
W 18120 H 413	4.1/8"	F07-018-3-08701
W 18120 H 419	4.3/16"	F07-018-3-11301
W 18120 H 425	4.1/4"	F07-018-3-08001
W 18120 H 431	4.5/16"	F07-018-3-11201
W 18120 H 438	4.3/8"	F07-018-3-11401
W 18120 H 444	4.7/16"	F07-018-3-11501
W 18120 H 450	4.1/2"	F07-018-3-08801
W 18120 H 456	4.9/16"	F07-018-3-11601
W 18120 H 463	4.5/8"	F07-018-3-08101
W 18120 H 469	4.11/16"	F07-018-3-11701
W 18120 H 475	4.3/4"	F07-018-3-11801

**Ratschenköpfe/
Ratchet heads**



RKF K 30 / K60	Code Nr. Code no	max. SW max. A/F mm	R	A	B	C	D	Mt max Nm
RKF 324	G07-003-0-02201	24	21	58,7	32	18	75	900
RKF 327	G07-003-0-02101	27	23	58,7	32	18	75	1.000
RKF 332	G07-003-0-02001	32	26	58,7	32	18	75	1.200
RKF 336	G07-003-0-01901	36	30	58,7	32	18	75	1.600
RKF 341	G07-003-0-01801	41	33	58,7	32	18	75	1.900
RKF 346	G07-003-0-01701	46	36	58,7	32	18	75	2.200
RKF 350	G07-003-0-01601	50	39	58,7	32	18	75	2.300
RKF 355	G07-003-0-01501	55	42	58,7	32	18	75	2.500
RKF 360	G07-003-0-01401	60	46	58,7	32	18	75	3.250
RKF 365	G07-003-0-01301	65	49	58,7	32	18	75	4.000
RKF 370	G07-003-0-01201	70	53	58,7	32	18	80	5.000
RKF 375	G07-003-0-01101	75	56	58,7	32	18	89	6.000
RKF 380	G07-003-0-01001	80	61	58,7	32	18	89	6.600
RKF 385	G07-003-0-00901	85	65	58,7	32	18	94	6.600
RKF 390	G07-003-0-00801	90	68	58,7	32	18	94	6.600
RKF 395	G07-003-0-00701	95	71	58,7	32	18	99	6.600

RKF K 30 / K60	Code Nr. Code no	max. SW max. A/F inch	R	A	B	C	D	Mt max Nm
RKF 324	G07-003-0-02220	1.5/16"	21	58,7	32	18	75	900
RKF 327	G07-003-0-02120	1.1/16"	23	58,7	32	18	75	1.000
RKF 332	G07-003-0-02020	1.1/4"	26	58,7	32	18	75	1.200
RKF 336	G07-003-0-01920	1.7/16"	30	58,7	32	18	75	1.600
RKF 341	G07-003-0-01820	1.5/8"	33	58,7	32	18	75	1.900
RKF 346	G07-003-0-01720	1.13/16"	36	58,7	32	18	75	2.200
RKF 350	G07-003-0-01620	2"	39	58,7	32	18	75	2.300
RKF 355	G07-003-0-01520	2.3/16"	42	58,7	32	18	75	2.500
RKF 360	G07-003-0-01420	2.3/8"	46	58,7	32	18	75	3.250
RKF 365	G07-003-0-01320	2.9/16"	49	58,7	32	18	75	4.000
RKF 370	G07-003-0-01220	2.3/4"	53	58,7	32	18	80	5.000
RKF 375	G07-003-0-01120	2.15/16"	56	58,7	32	18	89	6.000
RKF 380	G07-003-0-01020	3.1/8"	61	58,7	32	18	89	6.600
RKF 385	G07-003-0-00920	3.3/8"	65	58,7	32	18	94	6.600
RKF 390	G07-003-0-00820	3.1/2"	68	58,7	32	18	94	6.600
RKF 395	G07-003-0-00720	3.3/4"	71	58,7	32	18	99	6.600

**Ratschenköpfe/
Ratchet heads**

RKF K 150	Code Nr. Code no	max. SW max. A/F mm	R	A	B	C	D	Mt max Nm
RKF 1036	G07-010-0-04201	36	30	75,4	32	22	97	1.600
RKF 1041	G07-010-0-04101	41	33	75,4	32	22	97	1.900
RKF 1046	G07-010-0-04001	46	36	75,4	32	22	97	2.200
RKF 1050	G07-010-0-03901	50	39	75,4	32	22	97	2.300
RKF 1055	G07-010-0-03801	55	42	75,4	32	22	97	2.500
RKF 1060	G07-010-0-03701	60	46	75,4	32	22	97	3.250
RKF 1065	G07-010-0-03601	65	49	75,4	32	22	97	4.000
RKF 1070	G07-010-0-03501	70	53	75,4	32	22	97	5.000
RKF 1075	G07-010-0-03401	75	56	75,4	32	22	97	6.000
RKF 1080	G07-010-0-03301	80	61	75,4	32	22	97	7.750
RKF 1085	G07-010-0-03201	85	65	75,4	32	22	102	9.000
RKF 1090	G07-010-0-03101	90	68	75,4	32	22	102	9.500
RKF 1095	G07-010-0-03001	95	71	75,4	32	22	102	10.000
RKF 1100	G07-010-0-02901	100	75	75,4	32	22	112	11.000

RKF K 150	Code Nr. Code no	max. SW max. A/F inch	R	A	B	C	D	Mt max Nm
RKF 1036	G07-010-0-04220	1.7/16"	30	75,4	32	22	97	1.600
RKF 1041	G07-010-0-04120	1.5/8"	33	75,4	32	22	97	1.900
RKF 1046	G07-010-0-04020	1.13/16"	36	75,4	32	22	97	2.200
RKF 1050	G07-010-0-03920	2"	39	75,4	32	22	97	2.300
RKF 1055	G07-010-0-03820	2.3/16"	42	75,4	32	22	97	2.500
RKF 1060	G07-010-0-03720	2.3/8"	46	75,4	32	22	97	3.250
RKF 1065	G07-010-0-03620	2.9/16"	49	75,4	32	22	97	4.000
RKF 1070	G07-010-0-03520	2.3/4"	53	75,4	32	22	97	5.000
RKF 1075	G07-010-0-03420	2.15/16"	56	75,4	32	22	97	6.000
RKF 1080	G07-010-0-03320	3.1/8"	61	75,4	32	22	97	7.750
RKF 1085	G07-010-0-03220	3.3/8"	65	75,4	32	22	102	9.000
RKF 1090	G07-010-0-03120	3.1/2"	68	75,4	32	22	102	9.500
RKF 1095	G07-010-0-03020	3.3/4"	71	75,4	32	22	102	10.000
RKF 1100	G07-010-0-02920	3.7/8"	75	75,4	32	22	112	11.000

Zwischengrößen auf Anfrage/Intermediate sizes on request



... a successful connection!

Maschinenfabrik Wagner GmbH & Co. KG
Birrenbachshöhe · 53804 Much · Germany

Tel. national: (02245) 62-0
Fax national: (02245) 62-66
Phone international: +49 (0)2245 62-10
Fax international: +49 (0)2245 62-22

info@plarad.com · www.plarad.com

Nachdruck und Kopie, auch auszugsweise, nur mit vorheriger schriftlicher Genehmigung. Änderungen vorbehalten. Für Druck- und Informationsfehler übernehmen wir keine Verantwortung. / Reproduction and copying of this volume, in whole or in part, is permissible only with express written permission. Subject to amendment. We take no responsibility for printing errors or inaccurate information. Stand/Version: 06/2014 · EK 10387 - 185 DE/EN